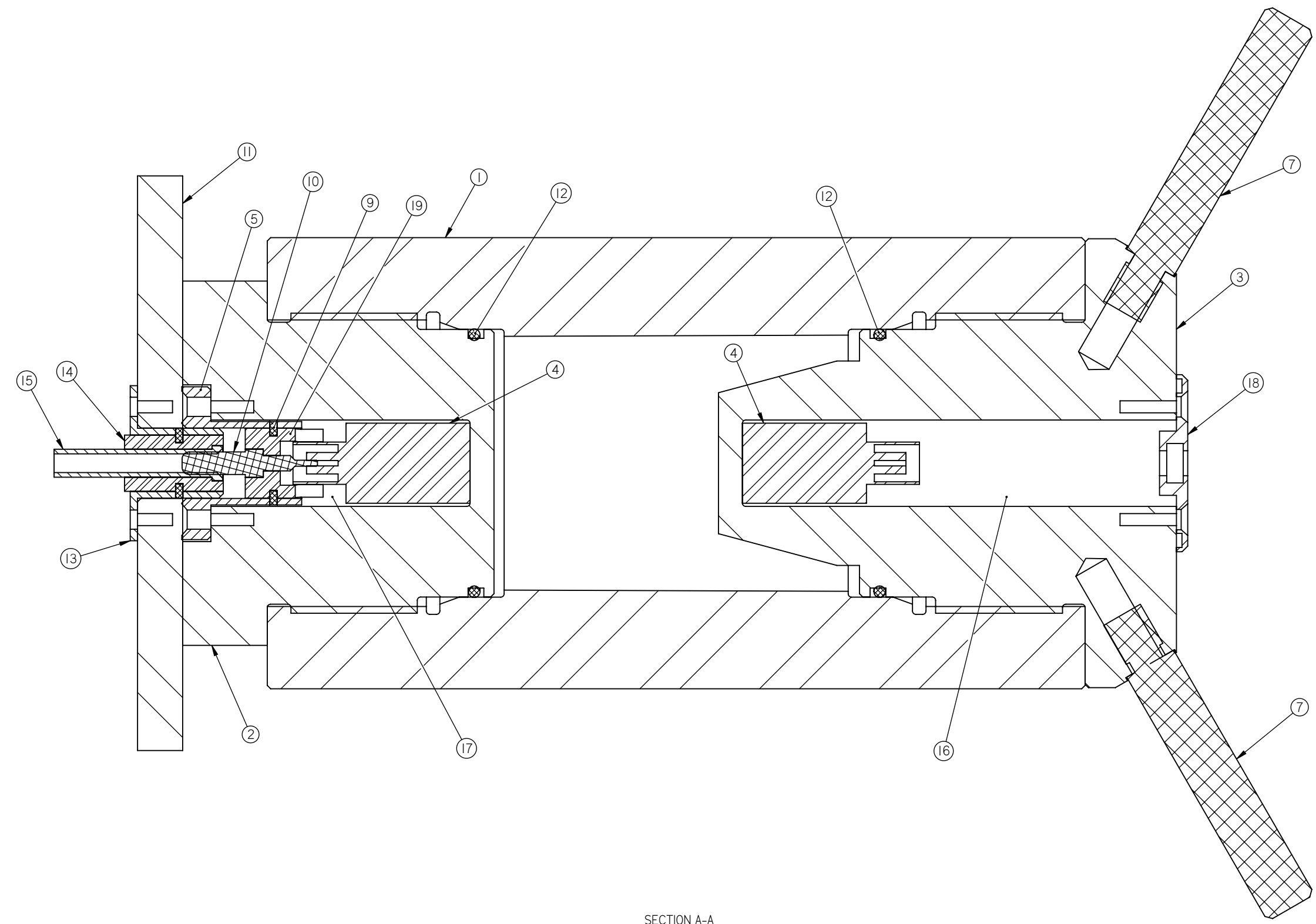


THE INFORMATION CONTAINED IN THIS DRAWING IS THE SOLE PROPERTY OF CEMENT TEST EQUIPMENT, INC. ANY REPRODUCTION IN PART OR WHOLE WITHOUT THE WRITTEN PERMISSION OF CEMENT TEST EQUIPMENT, INC. IS PROHIBITED.

REV.	DESCRIPTION	REVISIONS	DATE	APPROVED



SECTION A-A

ITEM NO.	QTY.	PART NO.	DESCRIPTION
1	1	4-0121	CYLINDER
2	1	4-0123	BOTTOM PLUG
3	1	4-0124	TOP PLUG
4	2	C-0396	ULTRASONIC TRANSDUCER
5	1	4-0083	PLUG HOLDER
7	2	4-0026	HANDLE
9	4	C-0393	DOWEL PIN
10	1	4-0087	BANANA PLUG
11	1	4-0036	HEATER BASE
12	2	C-0681	O-RING
13	1	4-0085	JACK SUPPORT
14	1	4-0086	JACK INSULATOR
15	1	4-0089	BANANA JACK
16	1	C-0395-1	SPRING (NOT SHOWN)
17	1	C-0395	SPRING (NOT SHOWN)
18	1	4-0110	CABLE ASSEMBLY
19	1	4-0084	PLUG INSULATOR

UNLESS OTHERWISE SPECIFIED DIMENSIONS ARE IN INCHES
TOLERANCES ARE:
FRACTIONS DECIMALS ANGLES
+1/32 .XX +.01 +-1
.XXX +.005

CAD GENERATED DRAWING.
DO NOT MANUALLY UPDATE

CEMENT TEST EQUIPMENT, INC.

APPROVALS DATE
DRAWN CCD 6-21-01
CHECKED CCD 6-21-01
RESP ENG CCD 6-21-01
MFG ENG CCD 6-21-01
QUAL ENG CCD 6-21-01

SIZE DWG. NO. 4-0120 REV. A
SCALE 1:2 CAD FILE: SHEET 1 OF 1

APPLICATION DO NOT SCALE DRAWING

CYLINDER ASSEMBLY
LOW PRESSURE UCA